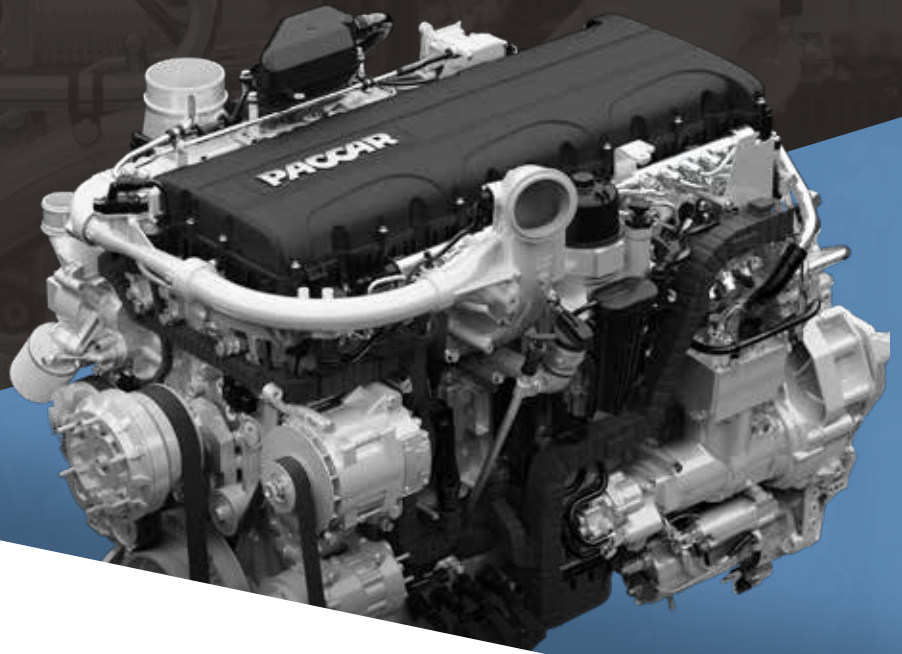


MX-11



THE LEADER IN PERFORMANCE

When it comes to performing serious work in some of the harshest vocational applications - the PACCAR MX-11 engine sets the bar. It's the versatile, reliable powerhouse for the most challenging environments.

250,000,000

Accumulated by MX-11 customers

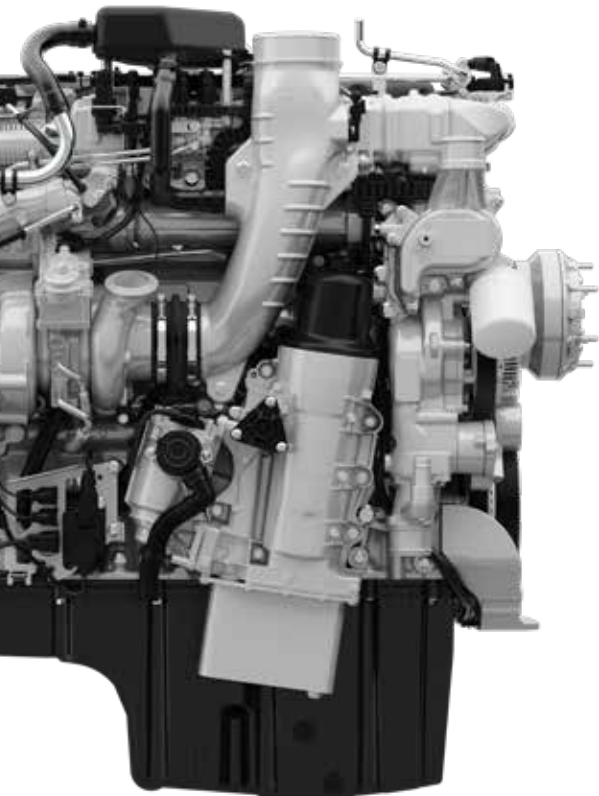
POWER TAKE-OFF FUNCTIONALITY

Total control

Highly configurable PTO mode programming delivers accurate and consistent engine and vehicle speed control which allows you to optimize for your application.

Maximum protection

Robust PTO safety features, such as always active engine torque and speed limit controls, help protect your investment.



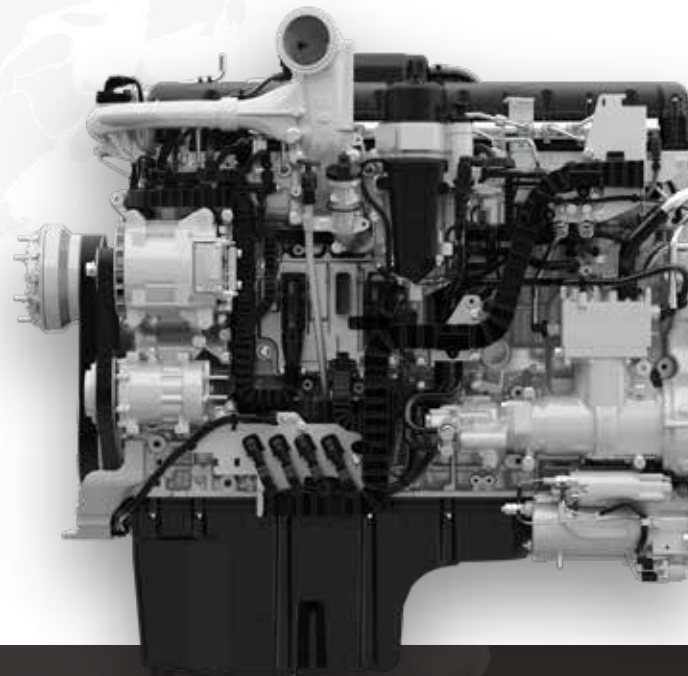
PROVEN

Road warrior

More than 250 million miles of real-life experience logged in a wide array of applications.

Made in America

Built at PACCAR's world class engine manufacturing facility in Columbus, Mississippi, the MX-11 is engineered for durability with an expected linehaul B10 life of over one million miles.



400 POUNDS OF WEIGHT SAVINGS

COMPARED TO TYPICAL 13L ENGINE

PERFORMANCE

Industry-leading peak torque

Peak torque at **900 RPM** means more power when you need it and less shifting on grades.

Unmatched service intervals

Extended service intervals and quicker-to-fix, more serviceable components save MX-11 owners as much as **30 percent** in maintenance costs over the life of their vehicle.

PACCAR

A century of history

Backed by the ironclad support of PACCAR, the manufacturer of the most renowned nameplates in the industry.

Unrivaled warranty*

Comprehensive & Aftertreatment:

- 2 years / 250,000 miles

Major Components:

- 5 years / 500,000 miles

*In 11L Engines



Note: Equipment and specifications shown in this brochure are subject to change without notice. Consult with your PACCAR Engine distributor at the time of ordering for standard and optional equipment. PACCAR MX, MX, MX-11, and MX-13 are trademarks of PACCAR Inc.

2019MX11SALES ©2019 PACCAR Inc.

PACCAR
P.O. Box 1518
Bellevue, WA 98009